

SERVING YOU..WORLDWIDE!

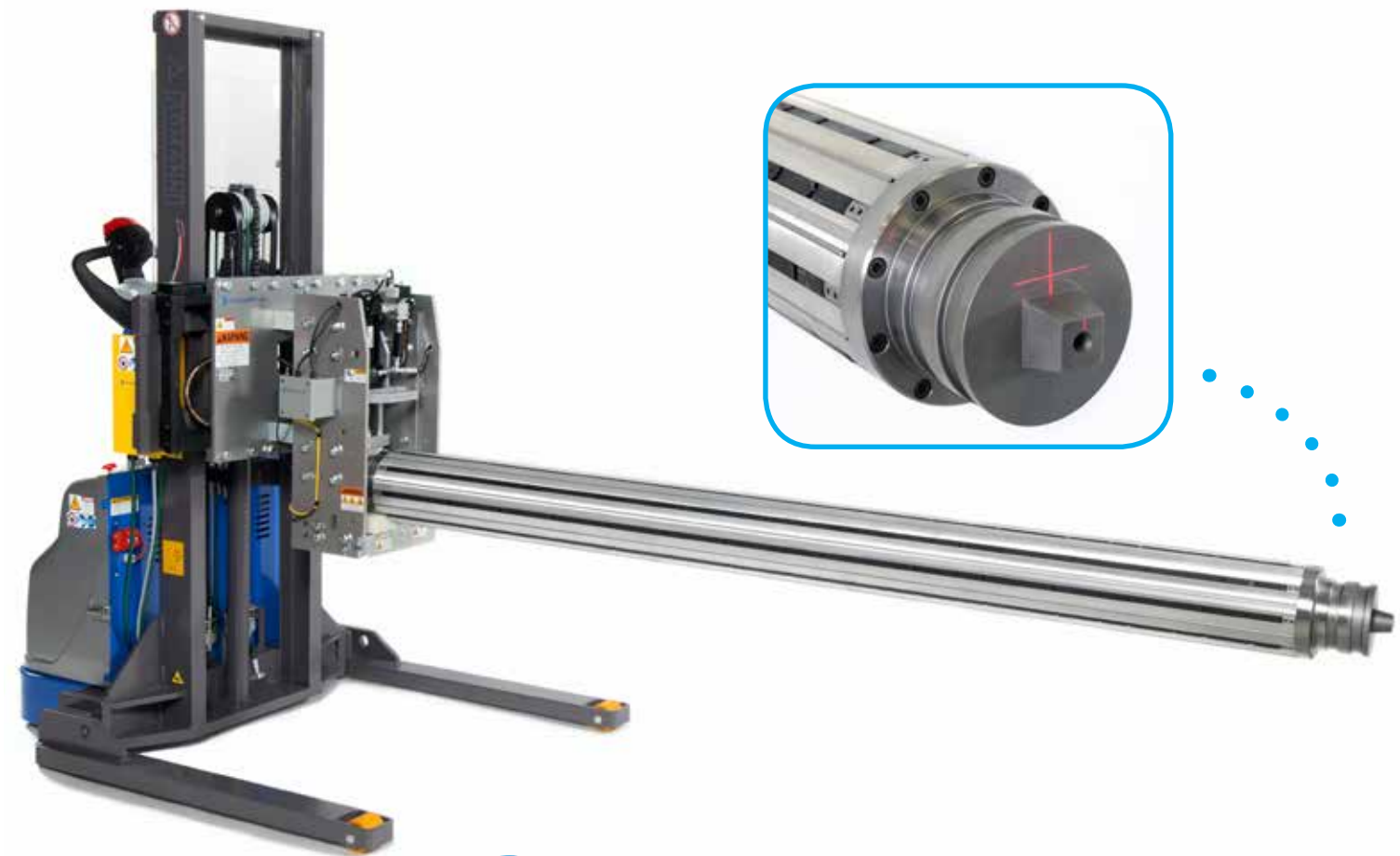
Schlumpf USA has invested more than \$1 million in new facilities, production equipment and engineering support since 2008 with one goal in mind – To offer the highest quality products and the best service for our customers. Whether you're around the corner or across the globe, you count on **Schlumpf USA** to solve your most challenging problems!



- IMPROVE EFFICIENCY?
- INCREASE QUALITY?
- REDUCE EQUIPMENT DAMAGE?
- ELIMINATE INJURIES?
- LOWER PRODUCTION COSTS?

If these are your goals, no matter how challenging, you can count on **Schlumpf USA** to help you achieve them.

PROBLEM SOLVED!



Schlumpf USA Inc.
39 Enterprise Drive, Suite 1
Windham, ME 04062 USA

☎ +1 207 893 1903
☎ +1 207 893 1905
✉ sales@schlumpf-inc.com
🌐 www.schlumpf-inc.com



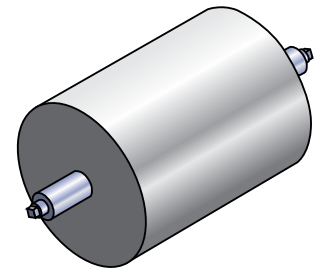
SCHLUMPF USA

SHAFT HANDLING SOLUTIONS

How To:

1. Determine your initial requirements using the Application Guide to the right.
2. Review the information below for the type of equipment you may need.
3. Contact us with your application information for additional guidance.

Quick Application Guide



Required Information

Do you have drawings of the shaft: Y N

Exact shaft diameter: _____

Multiple shaft sizes: Y N

Exact shaft weight: _____

Shaft body material: _____

Max. Lifting Height: _____

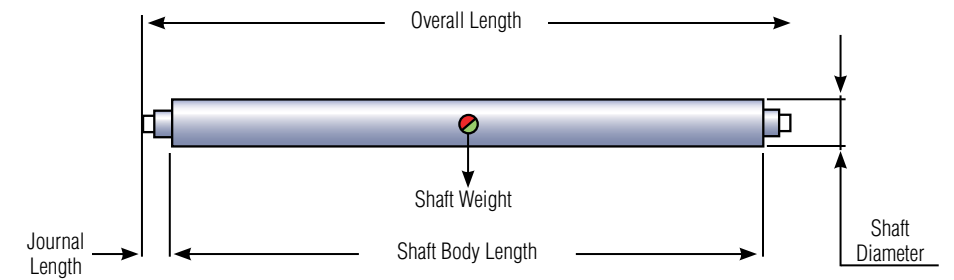
Min. Lifting Height: _____

Machine Type: Unwind _____ Rewind _____

Number of Roll Changes/Hour: _____

Are there any overhead obstructions: Y N

Are there any obstructions on the floor: Y N



PORTABLE

While nothing is as fast as handling a shaft by hand, nothing is potentially more hazardous to employee health and safety.

Schlumpf offers the best compromise between speed and safety. We offer a wide range of equipment and options to satisfy the most demanding applications.

ESH-400-PEC light-duty shaft handler with electric shaft clamp for shafts with weights to 60kg (135lbs)



Speedy HSC medium-duty shaft handler with hydraulic lift, electric drive and hydraulic clamp. Single-stage mast with 63" (1600 mm) lift OR Master HSC with two-stage mast with 98" (2500 mm) lift height.



Delta HSC heavy-duty shaft handler with hydraulic lift, electric drive and hydraulic clamp. Single-stage mast with 63" (1600 mm) lift OR two-stage mast with 98" (2500 mm) lift height.



STATIONARY



ESH-1000-S Heavy-duty fixed height shaft extractor for shafts with weights to 1100 lbs (500 kg) and lengths to 160" (4000 mm). Use in conjunction with lift table to adjust height.

ESH-1000-HTB Heavy-duty shaft extractor with horizontal transfer base for shafts with weights to 1100 lbs (500 kg) and lengths to 160" (4000 mm). A powered cart extracts the roll from the shaft.



TOOLING FEATURES & OPTIONS

A laser projects a cross hair to the shaft end to help with rough alignment of height and position.



Manual, electric or hydraulic side shift makes aligning the tooling with the shaft end fast and easy.



Swivel prevents binding in core when inserting and extracting.



The heart of the Schlumpf shaft handling system is the powerful hydraulic clamp tooling, which holds the shaft securely for insertion and extraction.



Precision hydraulic controls for lifting and side shift allow movement in tiny increments for precise positioning.



A video camera offers a real time display of the exact position of the shaft end when clamping.

Long life industrial batteries with built-in chargers keep your machine running 24/7.



CUSTOM HANDLING EQUIPMENT
Don't see what you need? **Schlumpf** will custom design equipment to suit your exact requirements.