

MIN - MAX roll widths, in (mm)

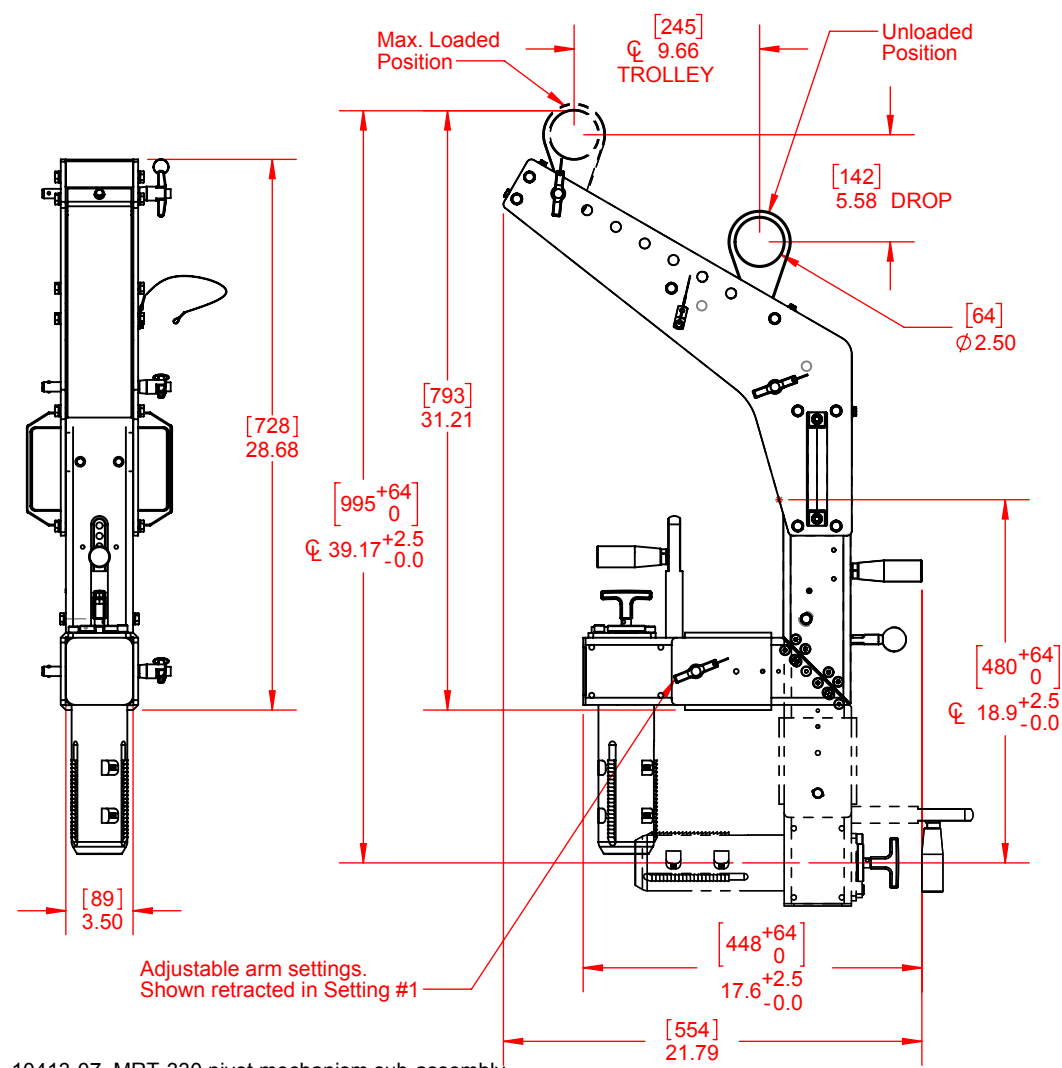
Weight, lb (kg)	setting 1	setting 2	setting 3
330 (150)	14.5 - 19 (368 - 483)	17 - 22 (432 - 559)	19.5 - 24.5 (495 - 622)
300 (136)	14.25 - 19.5 (362 - 495)	16.75 - 22.5 (425 - 572)	19.25 - 25 (489 - 635)
250 (113)	14 - 20.25 (356 - 514)	16.25 - 23.25 (413 - 591)	18.75 - 26 (476 - 660)
200 (91)	13.25 - 21.25 (337 - 540)	15.75 - 24.25 (400 - 616)	18 - 27.25 (457 - 692)
150 (68)	12.5 - 23 (318 - 584)	15 - 26 (381 - 660)	17 - 29.5 (432 - 749)
100 (45)	10.75 - 26.5 (273 - 673)	13 - 30.25 (330 - 768)	15.5 - 33.5 (394 - 851)

Conforms to ASME B30.20-2018 & ASME BTH-1-2017: Design Category A, Service Class 0

See chart above for roll width capacities

Adjustable mandrel arm shown in setting #1 (fully retracted); 1.25" between settings

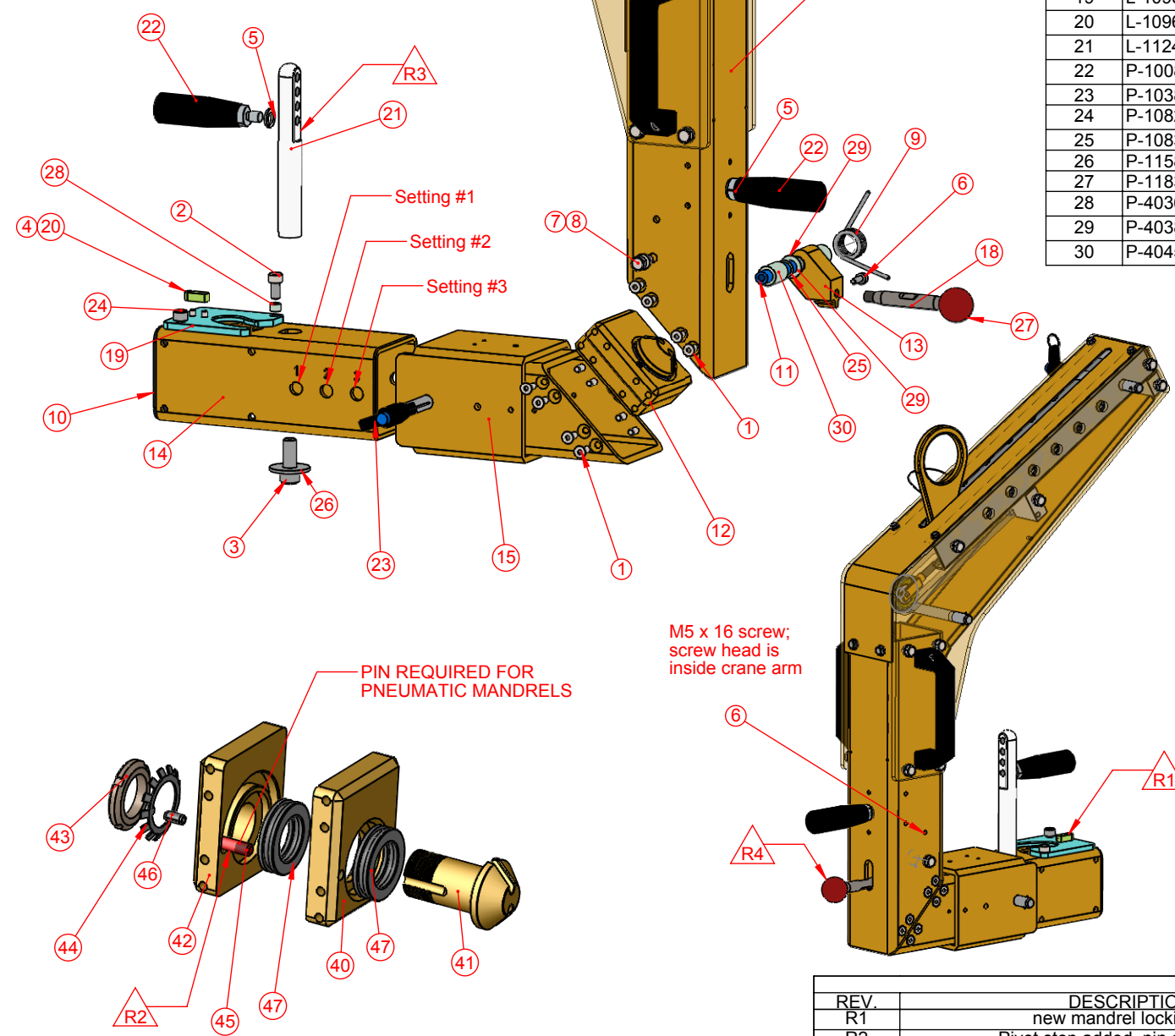
Shown with 3" mandrel as reference only; mandrels sold separately



Adjustable arm settings. Shown retracted in Setting #1

Set pin in holes to limit travel when loaded

NOTE: add / subtract P-10830 1/2" fiber washers as necessary to create tight running fit for release lever operation



Item Adjustment for use with toggle mandrels: L-10965-03 Captive Support +1

Adjustable arm settings. Move pin for settings #1, #2, #3 Shown retracted in Setting #1

ITEM NO.	PART NUMBER	DESCRIPTION	QTY.
1	K040062	M6 x 16 Socket FCHS	16
2	K040126	M8 x 1.25 x 16 Hex SHCS	1
3	K040182	M12 x 1.75 x 30 Hex SHCS	1
4	K040444	M5 x 12 Socket FCHS	2
5	K040825	M10 lock washer	2
6	K041290	M5 x 16 LHSCS	2
7	K041478	M8 lock washer	2
8	K041643	M8 x 1.25 x 20 HHCS	2
9	L-10003-22*	Torsion Spring	1
10	L-10040-05R1	ABS Cover	1
11	L-10413-03R1*	Release Shaft	1
12	L-10413-07*	MRT-330 pivot mechanism	1
13	L-10500-04 R1*	Release Lever	1
14	L-10627-02 R6	MRT-330 adj. mandrel arm tube	1
15	L-10627-09 R2	MRT-330 adj. mandrel arm	1
16	L-10673-02	MRT-330 crane arm (auto-level)	1
17	L-10680	MRT-330 auto-level kit	1
18	L-10682-03 R1	Ball Lever Bar	1
19	L-10965-01*	Mandrel Locking Plate	1
20	L-10965-02*	Std / HD Locking Tab	1
21	L-11242-02 R1	MRT turning handle (universal)	1
22	P-10087	Revolving Handle	2
23	P-10388	.5" x 4.5" Quick Release Pin	1
24	P-10829*	retracting thumb screw	1
25	P-10830*	1/2" fiber washer	2
26	P-11581	M12 Oversized Flat Washer	1
27	P-11831	Red Ball Lever Knob	1
28	P-40362*	8mm ID plain bushing	1
29	P-40384*	1/2" ID flange bushing	2
30	P-40459*	1/2" ID plain bronze bushing	2

L-10413-07 MRT-330 pivot mechanism sub-assembly

ITEM NO.	PART NUMBER	DESCRIPTION	QTY.
40	L-10040-03 R6	Top Pivot Plate	1
41	L-10413-01	Pivot Pin	1
42	L-10413-04R5	Bottom Pivot Plate	1
43	P-10088	Slotted Nut	1
44	P-10089	Tab Washer	1
45	P-10364R1*	Gripper Retaining Pin	1
46	P-10823	1/4 x 1/2 Steel Spring Pin	1
47	P-40040	Thrust Ball Bearing	2

Item Adjustment for no limit rotation P-10364R1 Retaining Pin -1

PROPRIETARY AND CONFIDENTIAL
THE INFORMATION CONTAINED IN THIS DRAWING IS THE SOLE PROPERTY OF SCHLUMPF USA INC. ANY REPRODUCTION IN PART OR AS A WHOLE WITHOUT WRITTEN PERMISSION OF SCHLUMPF USA INC. IS PROHIBITED.

MRT-330-AL-ADJ CAPACITY
Max Capacity: 330 lb (150 kg)
Width: see chart
Widths less than MIN: Core stop required
Max Diameter: 36" (914 mm) & 45" (1143 mm) with Core Stop

PART NO. **L-10682 R4**
APPROVED BY
MODEL **MRT-330-AL-ADJ**

REV.	DESCRIPTION	DATE	INITIALS
R1	new mandrel locking tab	1/18/2013	GBD
R2	Pivot stop added, pin and groove	7/1/2015	RPC
R3	Updated to Universal Turning Handle	5/24/2017	RPC
R4	New ball lever	7/19/2019	JYC

SCALE 1:8
DO NOT SCALE
DESIGNED BY Rich West
DRAWN BY Rich West
DATE CREATED 5/22/2008
DATE PRINTED 11/18/2019

39 Enterprise Drive, Suite 1; Windham, ME 04062 U.S.A.
Tel: 207-893-1903 Fax: 207-893-1905 URL: www.schlumpf-inc.com
E-Mail: engineering@schlumpf-inc.com ; sales@schlumpf-inc.com