



SCHLUMPF
A DOUBLE E COMPANY



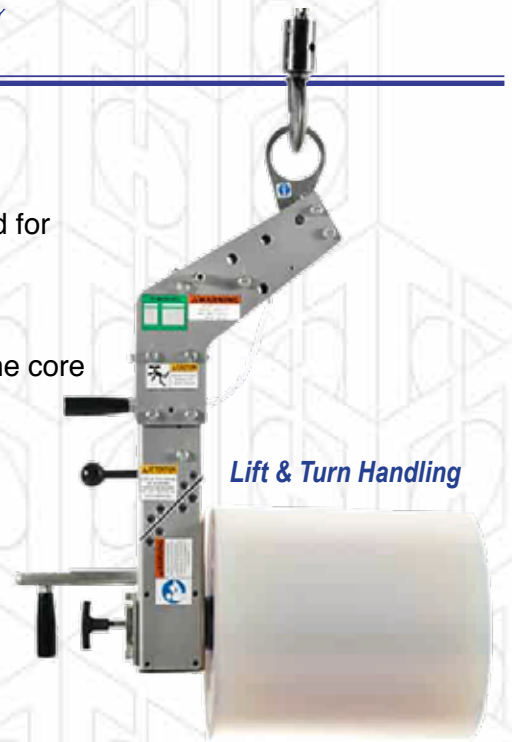
Custom Roll, Shaft & Material Handling **SOLUTIONS**

Hoist Based Roll Handling

Lift & Turn Handling

Lift and turn a roll of material with the greatest of ease. They are designed for manual or powered turning of rolls between horizontal and vertical.

- Effortless, easy to use turning
- Lift and rotate rolls and reels between horizontal and vertical by the core
- Unload rolls and reels onto machine spindles or carts
- Loading or unloading pallets
- Universal mandrel holder for easy change between core sizes



Lift & Turn Handling



Horizontal Lift

Horizontal Roll Lift

Schlumpf's Horizontal Roll Lifters are used to transport rolls in a horizontal position. The unit is supported by a hoist and allows operators to load or unload the rolls onto a machine spindle and to and from a roll cart or table.

- Below-the-hook lifting devices attach to standard hoist hooks
- Lift roll by the core or by supporting the outside diameter
- Manual, powered and automatic load leveling systems available
- Multiple tooling options available, including cradle and probe
- Pneumatic gripper retract and hoist integration available

Vertical Roll Lift

Lift and transport rolls by their core in a vertical position. A hoist is used to maneuver the rolls from a pallet, work table or to a cart.

- Below-the-hook lifting devices attach to standard hoist hooks
- Safely lifts rolls by the core
- Fail safe gripper design holds roll securely
- Quickly and easily change between mandrels



Vertical Lift

Portable Roll Handling

Light Duty Roll Handlers

Light Duty Roll Handlers grasp the rolls inside the core without contacting the valuable material. This reduces the risk of both material damage and operator injury, saving your company money and valuable resources.

- Lightweight aluminum frame
- Customizable height
- Compact Euro or adjustable straddle base
- Powered raise and lower
- Ergonomic and efficient
- Several manual tooling options available: flat platform, roll cradle, probe, roll turner, and swivel top



Light Duty Roll Handlers

Heavy Duty Roll Handlers

Powered Roll Handling Trucks are used to lift, transport load and unload rolls and products. Tooling options, both custom and standard, offer users a variety of productivity enhancing benefits.

- Adjustable Straddle, Euro style or counter-balanced bases
- Custom tooling options
- Ergonomic design



Heavy Duty Roll Handlers

V-Cradle Roll Handlers

Our powered lift trucks with cradle tooling make moving large rolls easy. With powered drive and lift mechanisms they can achieve a multitude of jobs.

- 2 speed operation
- Custom configurations available
- Able to load unwind/rewind shafts
- Hydraulic lip to mate with pallet
- Contoured forks available
- Custom capacities available



V-Cradle Roll Handlers

Shaft Handling

Light Duty Shaft Handlers

Schlumpf's ESH portable electric shaft handling machines are versatile tools for many shaft handling applications. Designed for portability, ease-of-use and flexibility, these 24 volt battery powered shaft handling machines make lifting, inserting, extracting and transporting heavy shafts, reel spools and tissue core plugs safe and easy.

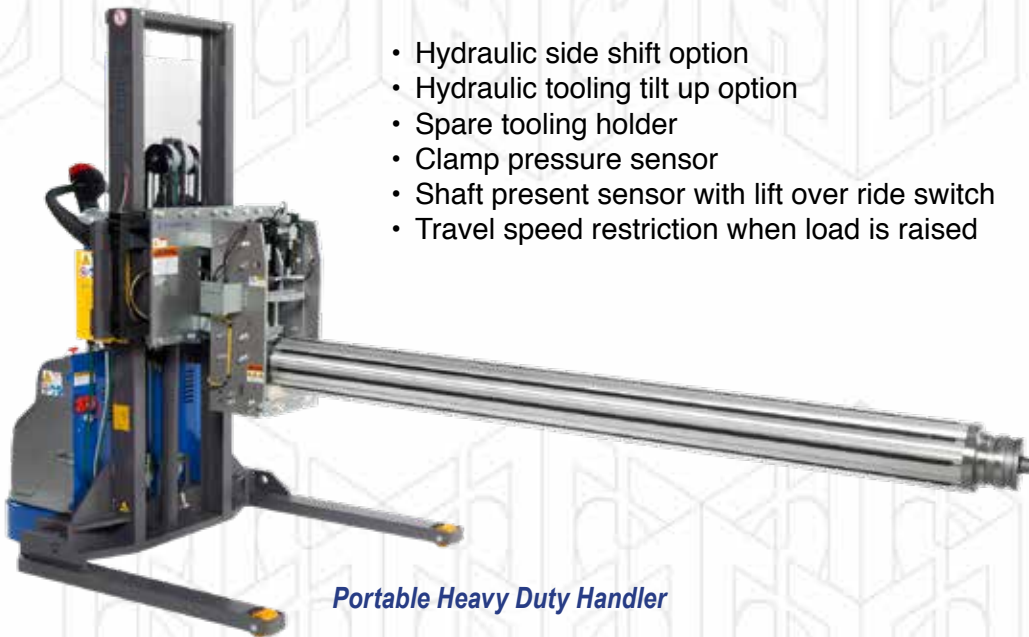


Portable Light Duty Handlers

- Easy to push and maneuver
- Rugged design
- Low maintenance
- Powerful electric clamp
- Custom column heights

Heavy Duty Shaft Handler

Schlumpf offers Heavy Duty Shaft Handlers with the ability to lift and extract various types of shafts. Custom tooling is available to ensure the handler is equipped with the capabilities to do exactly what you need it to do to improve production safety and productivity.



Portable Heavy Duty Handler

- Hydraulic side shift option
- Hydraulic tooling tilt up option
- Spare tooling holder
- Clamp pressure sensor
- Shaft present sensor with lift over ride switch
- Travel speed restriction when load is raised



Portable Dollies & Tables

Portable Roll Dollies



Portable Roll Dollies

With a maximum lifting weight of 1000 lbs., Schlumpf's Portable Roll Dollies offer an inexpensive way to transport rolled materials and other equipment throughout your plant, keeping valuable material off the floor and clean. With a rugged steel construction and powder coat finish, our Portable Roll Dollies are tough and handle the heaviest loads with ease.

Discovery PB

A roll pallet truck with shaped forks that allows for the safe and efficient handling of rolls, reels and coils. The length, width and shape of the forks are fully customizable.

- Custom widths available
- Highly maneuverable
- Designed for super-high capacities



TE Stationary Lift Table

TE Stationary Lift Table

TE electric lifting tables are stationary lifting tables that operate on three-phase 380/220 V. It is an ideal solution for a large number of applications including: unloading goods to and from delivery vehicles, a connection between different work cells, servicing machines and many other industrial and non-industrial uses.

Roll Upenders

Schlumpf designs and manufactures roll upenders tailored to your application to ensure they produce the results and production rates that provide you with a competitive advantage. Their quality, performance and durability is unparalleled in the industry. Schlumpf's hydraulic roll upenders are used to upend rolls, reels and virtually any heavy load and turn them 90 degrees.



Upenders

Stacker Trucks & Lifts

Power Movers & Tow Trucks

TPT and TPT UB are an Armani line of industrial power movers and electric tow carts that offer options such as walk-behind or operator-ride-on functions. They are battery-powered which eliminates emissions, improves air quality and enhances operator safety.



Powered Movers & Tow Trucks

Drum Handlers

Lifting, transporting and emptying heavy drums is difficult, time-consuming and potentially unsafe. With the heightened awareness of efficiency and sky-rocketing medical costs, having a safe, fast and easy way to handle drums is a key to both productivity & profitability. Schlumpf Drum Handlers are your answer to those challenges.



Drum Handlers

Semi-Electric Stacker

The Armani Semi-electric stackers combine manual traction and electric elevation. This is the ideal solution for safely and easily moving medium-light loads.



Semi-Electric Stacker

Electric Stacker

Armani Electric Stacker models offer a variety of maneuvering and handling capabilities. The MOSFET technology makes reaction time extremely fast which makes controlling the unit safe and accurate. The regenerative braking system feeds energy generated during braking/stopping back into charging the battery increasing battery efficiency and minimizing charging times.



Electric Stacker

Electric Pallet Trucks

Armani Electric Pallet Trucks offer a variety of maneuvering and handling capabilities. The units can be equipped with a variety of options to handle products and pallets. These units have been engineered with durability, ease of use and safety in mind.



Armani Discovery Electric Pallet Truck

Customized Handling

Custom Lift & Turn Devices

Schlumpf manipulators are designed to maximize operator efficiency and ergonomics in handling awkward or heavy materials and products. The units reduce and or eliminate stressful repetitive motions by virtually eliminating the effects of gravity to create a “zero-gravity, five-axis” work cell.



*Custom Lift
& Turn Devices*

Custom Lift Tables

Schlumpf designs Custom Lift Tables and solutions to create a safe means of moving a variety of products around the shop floor. They enhance the speed at which operators can move around the production floor without risking their own or their fellow operators’ safety.



Custom Lift Tables

Accessories

Pallet Carousel

Pallet Riser Carousels are useful in situations where a pallet full of rolls is not accessible from all sides. The 360° rotation feature allows the operator to approach from one side of the pallet to remove rolls



Pallet Carousel



Expanding Mandrel

Expanding Mandrels

Universal Mandrels are fail-safe, using spring force the grippers expand automatically insuring a secure fit. The operator simply inserts the mandrel into the core and easily and securely lifts the roll.

Parts and Service

To help keep your equipment in top-shape and avoid expensive down-time, keep your Schlumpf and Armani products running with high-wear parts and accessories. Contact us for recommended spare parts kits, preventative maintenance schedules, manuals, diagrams and more.



SCHLUMPF

A DOUBLE E COMPANY

39 Enterprise Drive • Windham, ME 04062

Phone: (207) 893-1903 • info@schlumpf-inc.com • schlumpf-inc.com